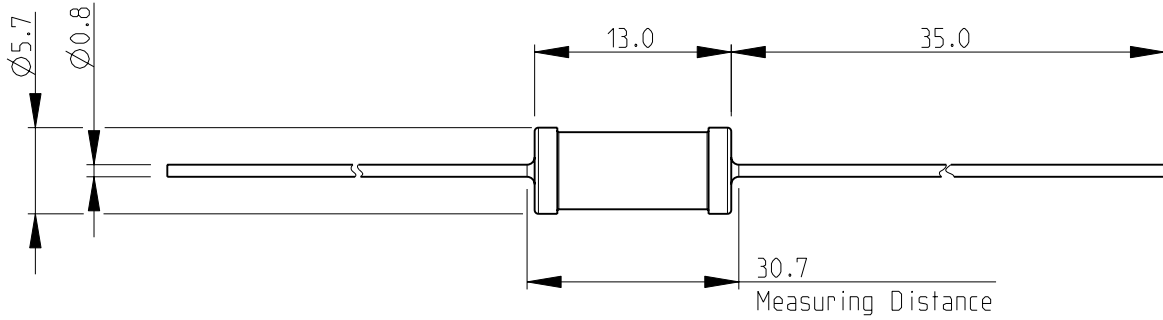
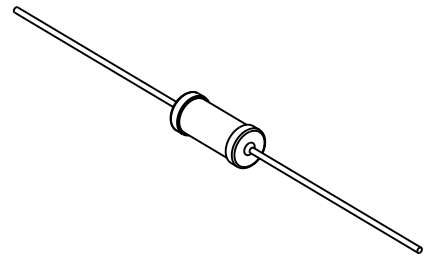


LOC	DIST	REVISIONS					
E	B	P	LTR	DESCRIPTION	DATE	DWN	APVD
			BA	NEW RELEASE	16-Sep-08	SM	St.P

FOR FURTHER INFORMATION SEE DATA SHEET FOR
C SERIES-HIGH POWER RESISTORS



RoHS Compliant



SCALE 1:1

2008

RELEASED FOR PUBLICATION

THIS DRAWING IS UNPUBLISHED.

BY TYCO ELECTRONICS CORPORATION. ALL RIGHTS RESERVED.
COPYRIGHT 2008

DIMENSIONS: mm	DWN	SUBHASH.M	16-Sep-08	MATERIAL	-	FINISH	-	
	CHK	PRAKASH.S	16-Sep-08	Tyco Electronics Corporation Dorcan, Swindon, SN3 5HH				
TOLERANCES UNLESS OTHERWISE SPECIFIED:	APVD	STEPHEN.P	16-Sep-08					
	0 PLC	± 0.2	PRODUCT SPEC	-	NAME HIGH POWER RESISTORS SERIES C3A			
1 PLC	± 0.1	APPLICATION SPEC	-					
2 PLC	\pm	WEIGHT	-	SIZE	A 4	CAGE CODE	00779	
3 PLC	\pm		-	DRAWING NO	C-1623771		RESTRICTED TO	-
4 PLC	\pm							
ANGLES	$\pm 5^\circ$	CUSTOMER DRAWING			SCALE	2:1	SHEET	1 OF 1
						REV	BA	